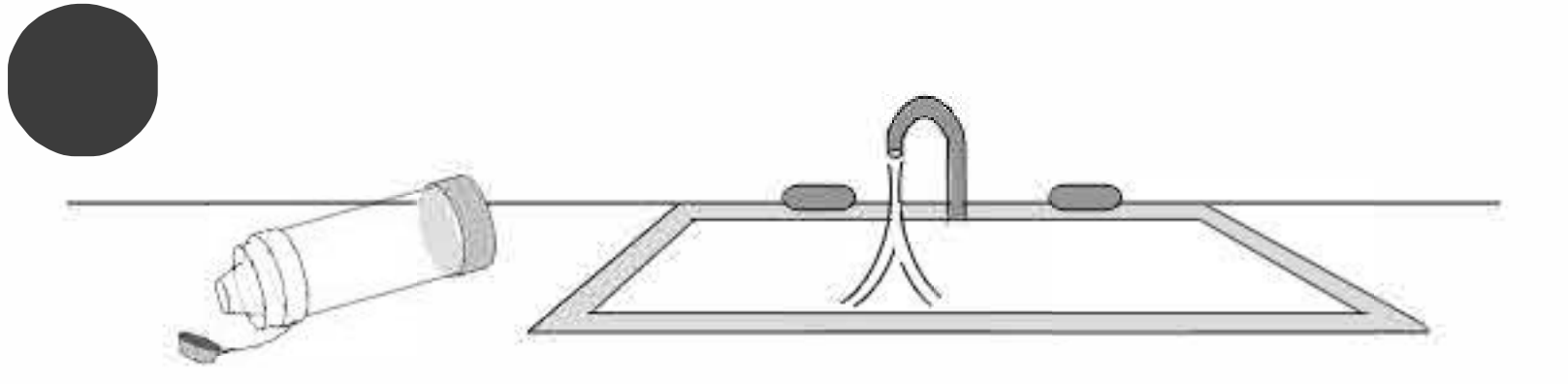
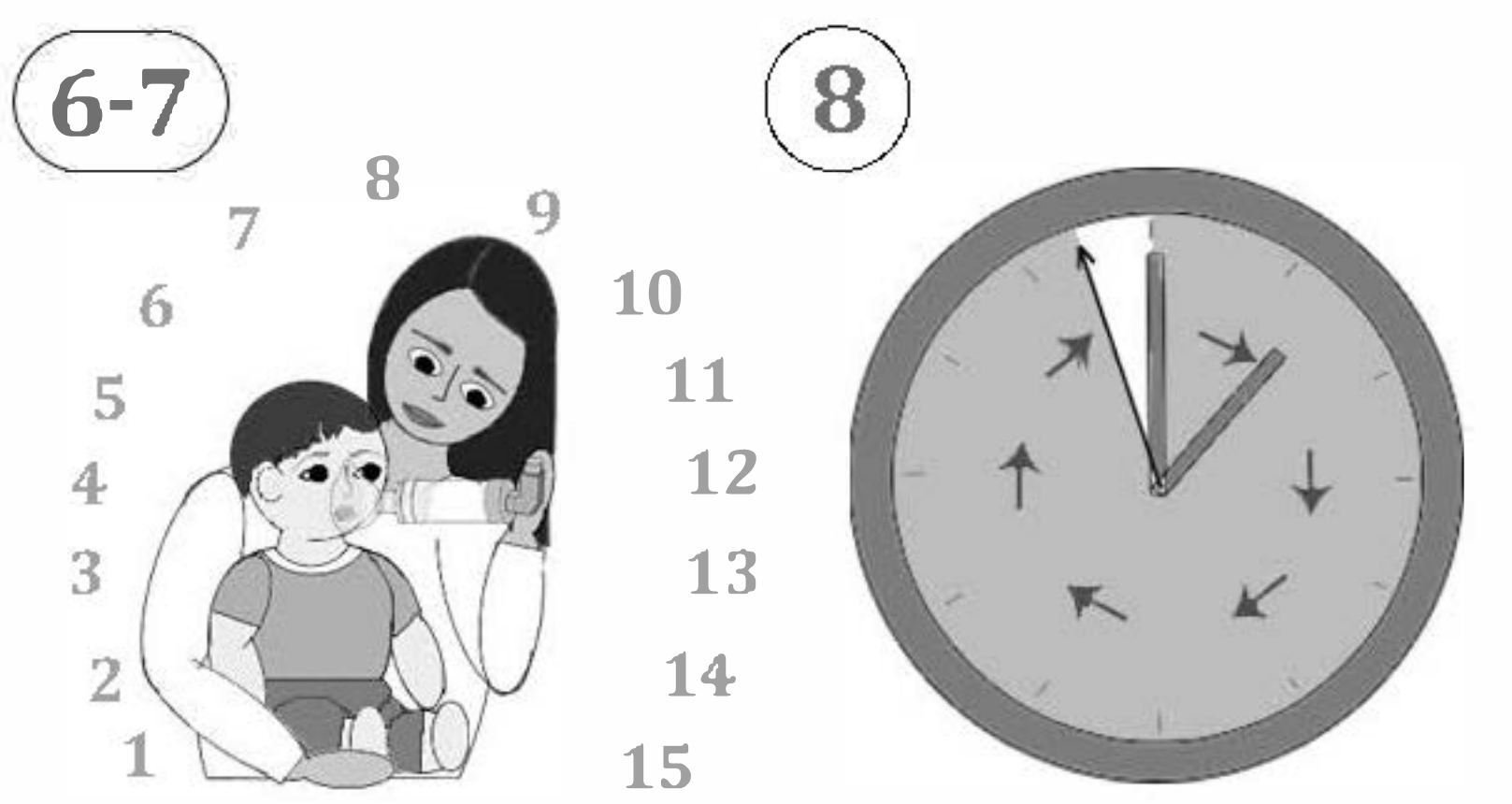
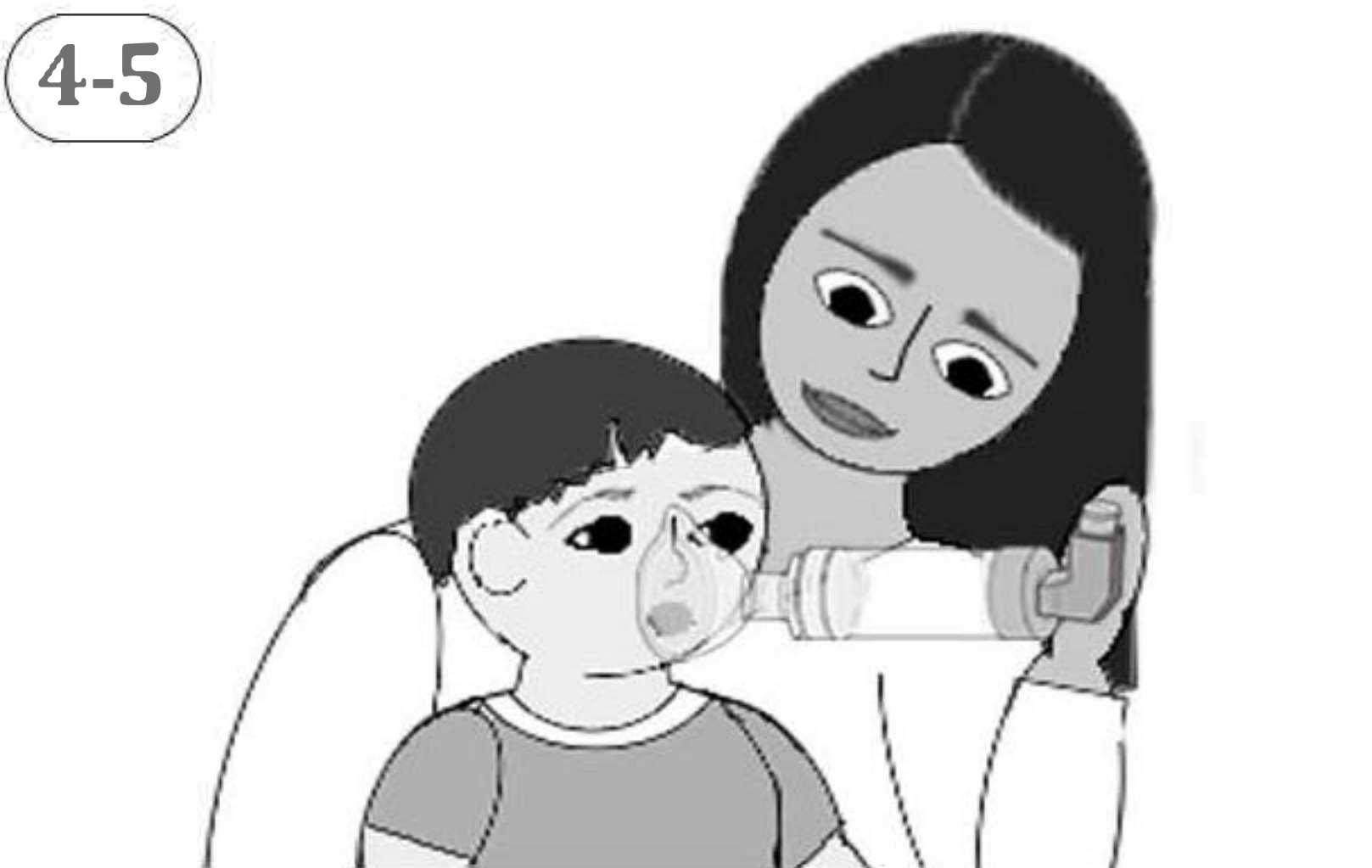
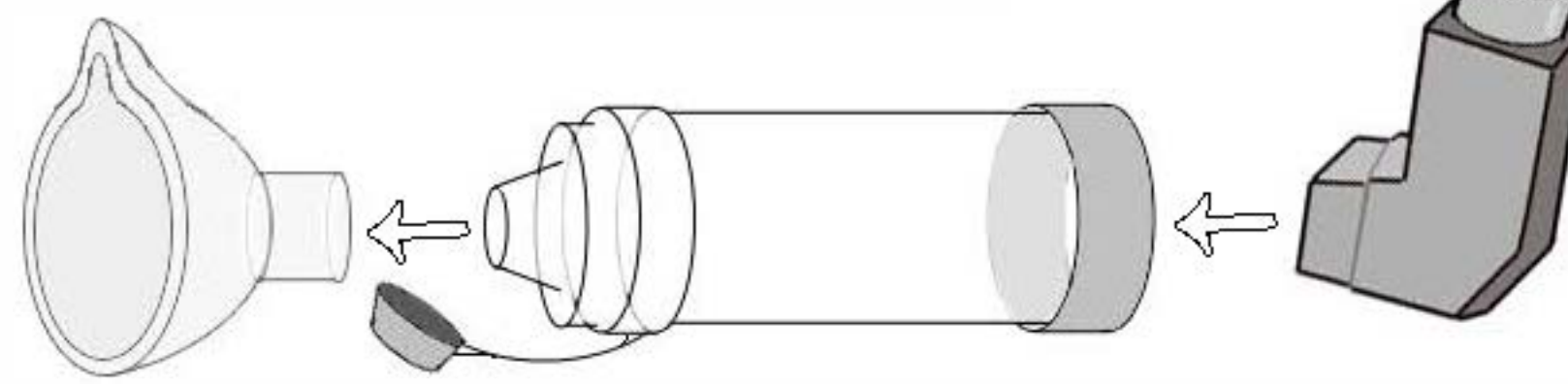
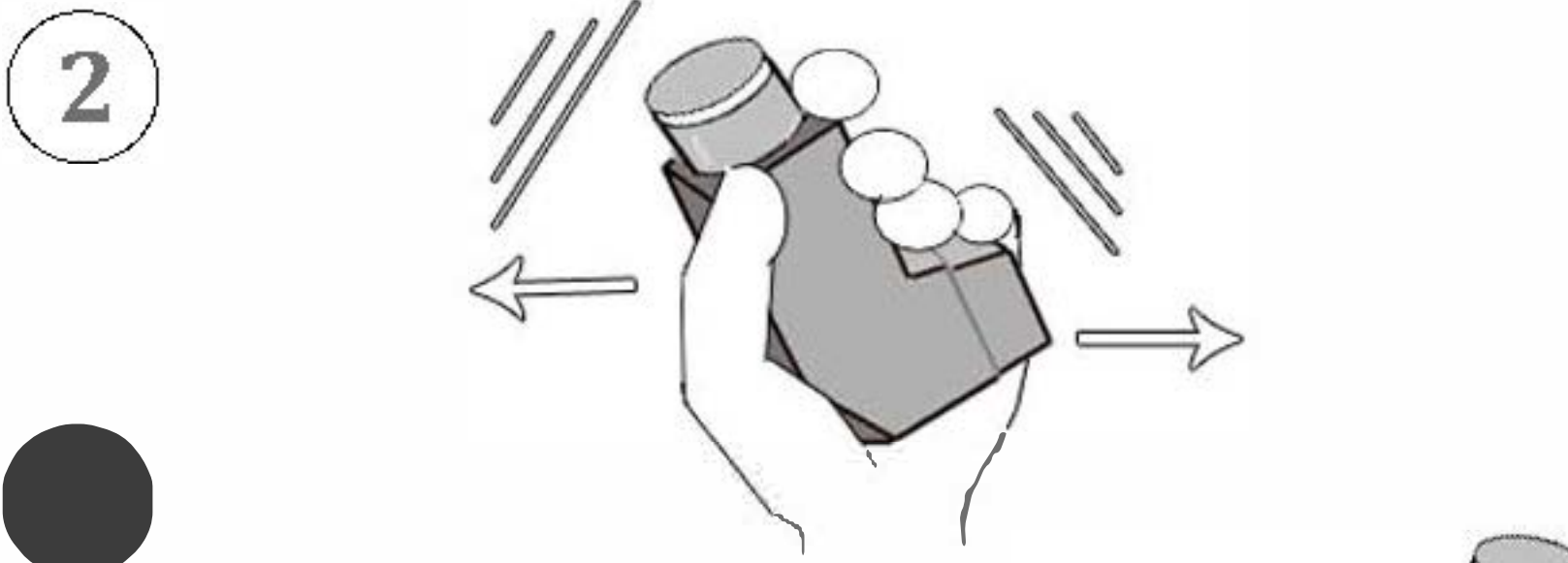
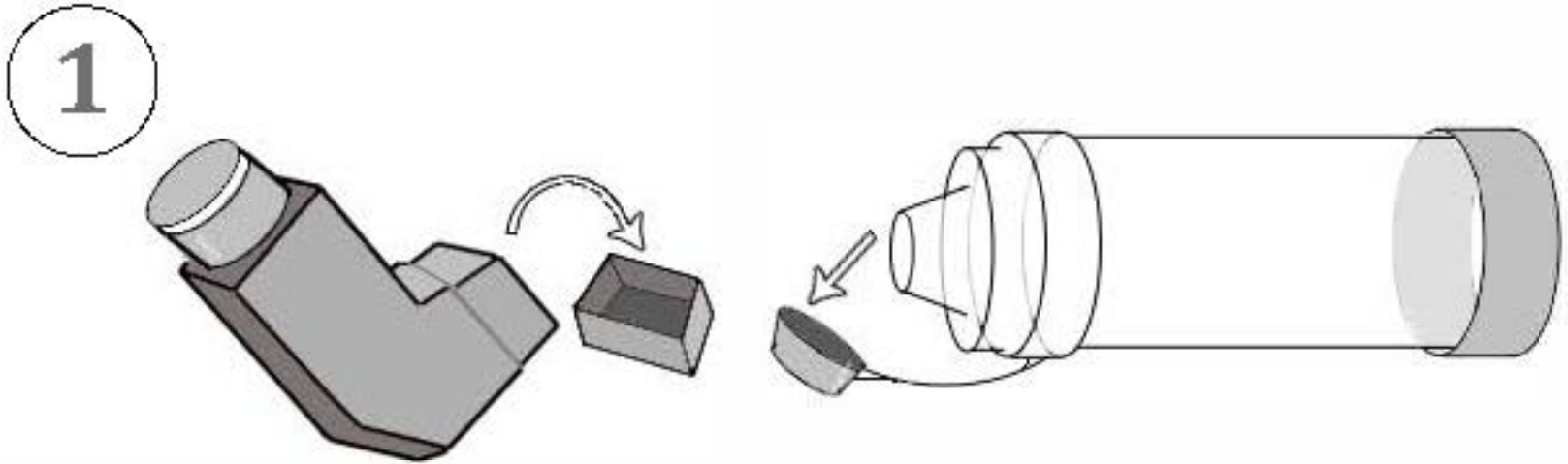


HOW TO USE A SPACER WITH A FACEMASK



1

Remove the caps from the inhaler and the spacer.

2

Shake the inhaler well for 5 seconds.

3

Attach the mask to the mouthpiece of the spacer. Now insert the inhaler into the open end of the spacer.

4

Put the facemask up to your child's face. Make sure that it is tight around the child's nose and mouth so that no air leaks out.

5

Push the inhaler down once. This will release one puff of medicine into the spacer.

6

Hold the facemask to your child's face for enough time to allow at least 6 breaths. This may take 10-15 seconds.

7

Remove the facemask from your child's face.

8

How many puffs did your doctor say to take? Wait 1 minute between each puff. Follow steps 4-8 for every puff ordered by your doctor.

9

Rinse your child's mouth, and face if steroid inhaler, with water. Clean the spacer and facemask once a week with soap and warm water, let air dry and replace caps.